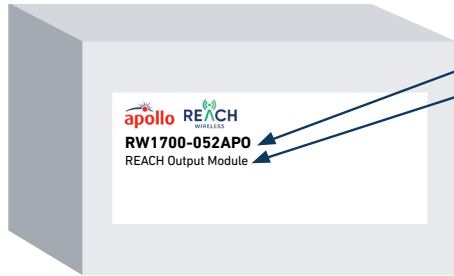


## QUICK START GUIDE



### THE BOX

Product Part Number  
Product Description

### INSIDE THE BOX

- 1 x Output Module
- 2 x CR123A batteries
- 4 x Securing screws
- 1 x Resistor pack
- 1 x Quick start guide

### MOUNTING STEPS

The Output Module is designed to meet IP65 rating, suitable for external mounting. Proceed as follows to complete the device installation.



### IMPORTANT TO CONSIDER

When mounting a wireless device, a comprehensive radio survey should have been carried out to establish the location that provides the best coverage and optimum reach. Taking into consideration the building structure and materials, the survey identifies the wireless infrastructure required and product locations for optimum performance, identifying any factor that could prevent radio integrity.

Avoid fixing or mounting the unit close to the following:

- Equipment that utilises large electrical currents
- Large metal objects or structures
- Fluorescent lighting fittings
- Metal ceiling structures
- IT cabling.

Keep 2 meters minimum spacing between other wireless equipment in the area to avoid signal interference.



EN54 approved environmental temperature range is -10°C to +55°C

### UNBOXING

- When unboxing the output module you will find the unit and its lid.
- This comes with pre-formed mounting holes to drill out and mount the backbox.
- Securing screws are supplied for the lid.
- A resistor pack is supplied for the monitored load connection (10KΩ R<sub>EOL</sub>).

For more information, please refer to the user manual. Available on [apollo-fire.co.uk](http://apollo-fire.co.uk)

Scan QR code  
for full user manual



RW1700-052APO

#### 1

Remove the lid from the backbox, removing the screws on the corners.

#### 2

- Remove the appropriate knock-out on the underside or lower rear of the casing, install the M16/20 IP-rated gland.
- Note: pay attention to avoid damages to the PCB, while removing the knock-out, or remove it before starting.

#### 3

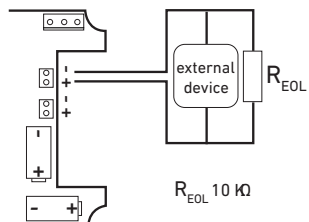
- To retain IP-rating, please ensure you use the outer holes on the casing.
- Using a pencil, mark through the outer holes on the desired surface you will attach the unit to.
- Using a suitable-sized drill bit (6 mm) drill the marked screw points on your chosen surface.
- Ensure you use the correct fixings for the type of surface you are mounting to.
- Screw the backbox to the desired surface using all fixing holes and appropriate-sized roundhead screws (not countersunk).

#### 4

- Ensure the switch on the PCB is in position ON.
- Fit the 2x CR123A batteries ensuring you have checked they are the correct way round observing the polarity indications on the PCB.
- The LED will signal 4 times red.
- Move the switch on the PCB to position 1. The LED will blink few seconds green and then signal alternatively green/red 4 times.

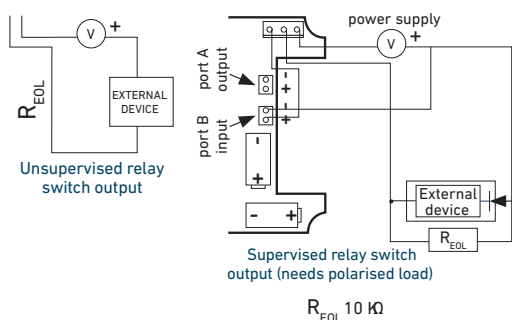
WIRING EXAMPLE FOR 100MA/12 VDC OR 50 MA/24 VDC EXTERNAL DEVICE DRIVING CAPABILITY

5



- The 10kΩ  $R_{EOL}$  resistor monitors whether the cable has been damaged or the connection is no longer available.
- If you fail to install these resistors correctly the device will not operate as intended.

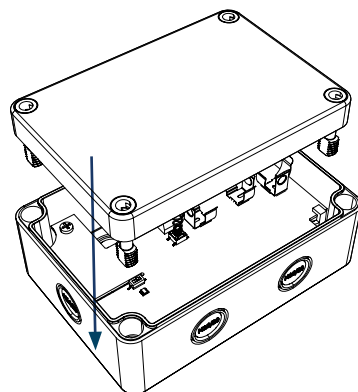
WIRING EXAMPLE FOR THE RELAY SWITCH OUTPUT



- Ensure the device connected to the unit is not drawing more than 2 A at 30V (no 220 VAC). Drawing too much current through the output relay or connecting mains voltage could possibly damage the unit and void warranty.

Note: install a properly fire-rated cable (according to national code of practice) between the third-party device and the output module.

6



- Refit the lid to the backbox, using the supplied screws.