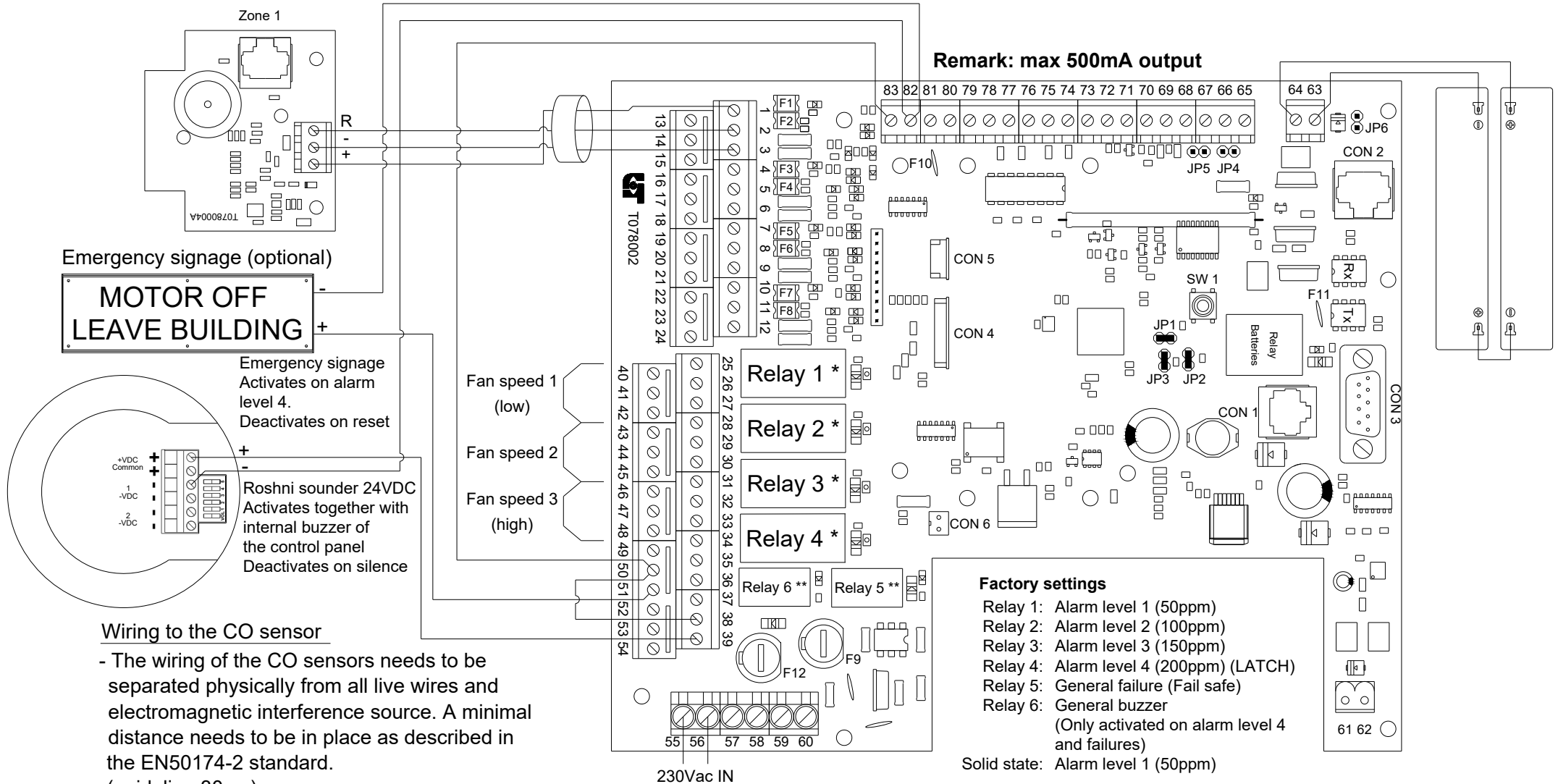


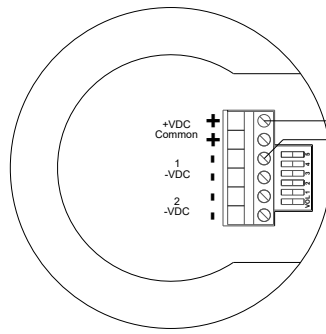
# Wiring diagram MD780 – 8-zone CO detection control panel



Emergency signage (optional)

**MOTOR OFF  
LEAVE BUILDING**

Emergency signage  
Activates on alarm level 4.  
Deactivates on reset



Roshni sounder 24VDC  
Activates together with  
internal buzzer of  
the control panel  
Deactivates on silence

Wiring to the CO sensor

- The wiring of the CO sensors needs to be separated physically from all live wires and electromagnetic interference source. A minimal distance needs to be in place as described in the EN50174-2 standard. (guideline 30cm).
  - 3 Wires
  - Up to 500m: 3 x 0,8mm shielded
  - Up to 1km: 3 x 1mm shielded
  - More than 1Km: contact supplier
- Remark: Shielding must be connected to earth.**

(\*) Maximum resistive power: 230VAC/2A each contact  
Max inductive power or solenoid valve: 80W each contact  
(\*\*) Max resistive power: 30VDC/1A

Wiring diagram MD780 - 8-zone CO detection control panel			
File	TA0780E07D	REV.	D
Created by	De Croo P.	16/02/2022	
Approval	Behaeghel S.		
bv Limotec Bosstraat 21, B-8570 Vichte +32 (0)56 650 660			